

SK Series

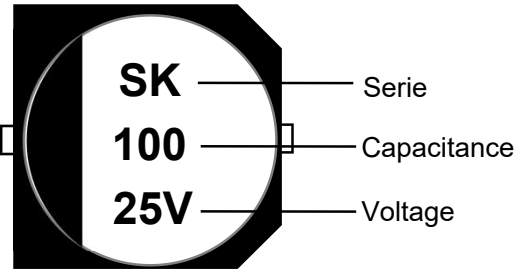
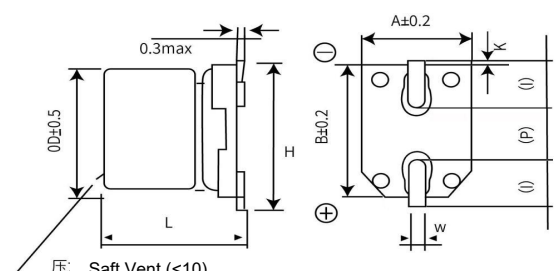
Feature

- ◆ High-temperature lead-free reflow soldering products
- ◆ Guaranteed duration: 7000~10000 hours at 105°C
- ◆ Vibration resistance
- ◆ RoHS compliant

Items	Characteristics							
Temperature Range	-55°C ~ +105°C							
Rated Voltage Range	6.3V ~ 50V							
Capacitance Range	1 ~ 1000 μF							
Capacitance Tolerance	±20% (20°C, 120Hz)							
Leakage Current	≤0.01CV or 3μA, Take the larger of the two values (after applying the rated operating voltage for 2 minutes) CR: nominal capacitance (μ F) UR: rated voltage (V)							
Dissipation Factor (tg δ) (20°C, 120Hz)	U _R (V)	6.3	10	16	25	35	50	
	tg δ	0.32	0.28	0.26	0.16	0.14	0.14	
Endurance	Under the condition of 105°C, after being subjected to the rated operating voltage for 10000 hours (with ΦD=6.3 for a duration of 7000 hours) and subsequently returned to 20°C, the capacitors shall meet the following requirements.							
	Capacitance Change	within ±30% of the initial value						
	Dissipation Factor	≤300% of initial rated value						
	Leakage Current	≤ initial ralted value						
High Temperature Storage	After being stored for 1000 hours without voltage application in a 105°C environment and then recovered to 20°C, the capacitor shall meet the above endurance requirements.							
Low Temperature	U _R (V)	6.3	10	16	25	35	50	
	Z(-25°C)/Z(+20°C)	3	3	2	2	2	2	
	Z(-55°C)/Z(+20°C)	4	4	3	3	3	3	
Resistance to soldering heat	The capacitor shall be maintained on a hot plate at 250°C for 30 seconds. After removal and recovery at room temperature, it shall meet the requirements listed on the right.						Capacitance Change	within ±10% of the initial value
							Dissipation Factor (tg δ)	≤ initial ralted value
							Leakage Current	≤ initial ralted value

Coefficient of Frequency for Rated Ripple Current

Frequency (Hz)	50Hz	120Hz	300Hz	1KHz	≥ 10KHz
Coefficient	0.70	1.00	1.17	1.30	1.50

Mark	Appearance & Dimension
 <p>SK — Serie 100 — Capacitance 25V — Voltage</p>	 <p>Unit: mm</p> <p>Ⓜ: Soft Vent (<10)</p>

ΦD	L	A, B	H	I	W	P	K
6.3	7.7±0.3	6.6	7.2	2.4	0.5~0.8	2.2	0.35+ 0.15/0.20
6.3	8.7±0.3	6.6	7.2	2.4	0.5~0.8	2.2	0.35+ 0.15/0.20
8	10.5±0.5	8.3	9.0	3.4	0.8~1.1	3.1	0.70±0.20
10	10.5±0.5	10.3	11.1	3.5	0.8~1.1	4.5	0.70±0.20

SK Characteristics Table

Rated Voltage (V.DC)	Capacitance (±20%) (µF)	Dimension (mm)		Electrical Characteristics		Minimum Packaging Quantity (PCS)
		ΦD	L	Rated Ripple Current (120Hz/105°C) (mA r.m.s)	tan δ (120Hz/20°C)	
6.3	100	6.3	8.7	60	0.32	900
	220	6.3	8.7	101	0.32	900
	330	8	10.5	160	0.32	500
	1000	10	10.5	313	0.32	500
10	33	6.3	8.7	50	0.28	900
	47	6.3	8.7	55	0.28	900
	100	6.3	8.7	70	0.28	900
	220	8	10.5	141	0.28	500
16	47	6.3	8.7	50	0.26	900
	100	6.3	8.7	81	0.26	900
	220	8	10.5	150	0.26	500
	330	10	10.5	200	0.26	500
	470	10	10.5	250	0.26	500
25	33	6.3	8.7	48	0.16	900
	47	6.3	8.7	63	0.16	900
	100	8	10.5	116	0.16	500
	220	10	10.5	220	0.16	500
35	22	6.3	8.7	42	0.14	900
	33	6.3	8.7	57	0.14	900
	47	8	10.5	92	0.14	500
	100	10	10.5	151	0.14	500
	220	10	10.5	215	0.14	500
50	33	8	10.5	77	0.14	500
	47	8	10.5	92	0.14	500
	100	10	10.5	150	0.14	500